

musilia

ESSENTIAL OIL DIFFUSER WITH INTEGRATED BLUETOOTH

EN

Instructions for use

- Before you use the devices, read carefully and keep the operating instructions described below. Always make sure that you properly handle the devices. Throughout this instruction manual, the term «device» refers to the diffuser and its accessories.
- If you notice a burning smell or the product shows other signs of significant malfunction, immediately disconnect the power cord from the electrical outlet. Wait until the burning smell dissipates, then contact your retailer.
- If the device falls, disconnect the power cord from the electrical outlet.
- Maintain the essential oil diffuser with an appropriate cleaner available at your retailer.
- Do not try to disassemble or modify the devices. You will be exposed to hazards and your parts and

labour warranty would become invalid.

- Do not bend, twist or pull the power cord, this may damage it and cause a fire or electrical shock hazard.
 - Do not place heavy objects on the devices.
 - Do not obstruct the diffuser output of your device.
 - Do not use the devices in areas that are smoky, humid, dusty, or subject to strong vibrations.
 - Do not expose the devices to high temperatures.
 - Keep the devices out of the reach of children.
 - Do not use the devices near an open flame.
 - Do not use the devices in a humid atmosphere.
- Do not immerse the devices in water.
- Carefully observe the precautions for use provided with the bottles of essential oils.
 - Do not overfill the essential oil diffuser. They could stain the furniture on which they are placed.

- Maintain the essential oil diffuser with an appropriate cleaner available at your retailer.
- Do not place the diffuser on an inclined or unstable piece of furniture. It could fall, break and cause injury.
- This device can be used by children 8 years of age and older and by persons with limited physical, sensory or mental abilities or without experience or knowledge of the device, if they are properly supervised or if the instructions relating to the safe use of the device were given to them and the associated risks were understood.
- Children must not play with this device.
- Cleaning and maintenance must not be performed by unsupervised children.
- Only use substances recommended for diffusion in the device. Using other substances may cause a toxic hazard or risk of fire.
- The device may only be used with the power

adapter provided.

- Unplug the device before handling or maintenance. Make sure that it has been emptied of any liquid or substance for diffusion.
- The device must only be powered using very low voltage for safety reasons, which corresponds to the device marking.
- If the power cable is damaged, it must be replaced with a cable or special kit available from the manufacturer or after sales support.
- Unplug the device whilst filling or cleaning.
- Do not put too much water. Observe the maximum filling level indicated by the mark on the device. In case of surplus, empty the excess and immediately wipe with a soft cloth the plastic parts that may have been in contact with the water and essential oil.
- Use a cloth dampened with water and white vinegar to clean and descale your device. Then

dry it with a soft clean cloth.

- When using the device, pay attention to the emission of hot water vapour.



The crossed-out wheellie bin symbol affixed to the product or its accessories indicates that they are classified as electrical and electronic equipment.

As such, the European regulations require it is collected separately from other waste:

- by distributors, if an equivalent product is purchased, using the locally-available collection facilities (waste reception centre, separate collection, etc.).

In this way, you will be helping to reuse and recycle Waste Electrical and Electronic Equipment that could have potentially harmful effects on the environment and on human health.



This appliance satisfies the European Community requirements concerning safety, hygiene, the environment and consumer protection.

What is aromatherapy ?

Aromatherapy is the use of aromatic essential oils for your well-being. Essential oils are extracted from the bark of trees, flower petals, roots, stems and the fruit of unique medicinal plants to offer you all their benefits.

Quick start:

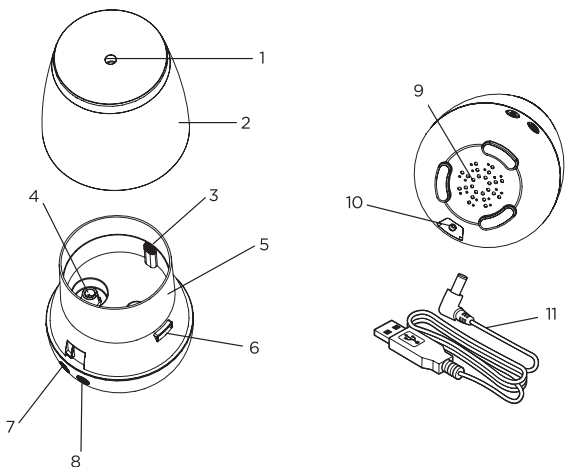
Simply fill the tank of your diffuser with tap water and add a few drops of 100% pure and natural essential oil. Press the diffuse button and instantly transform your environment by bringing the serenity of nature directly into your home or office.

How do ultrasonic essential oil diffusers work?

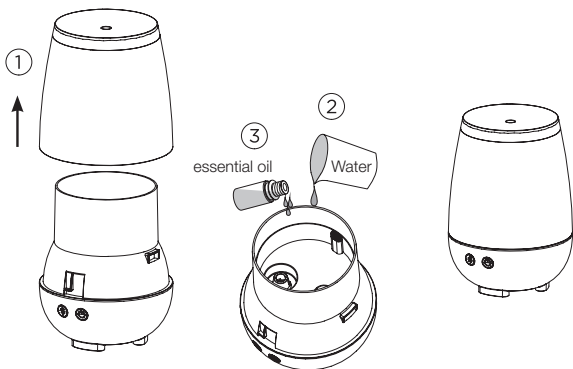
This essential oil diffuser uses a silent ultrasonic technology to create vibrations in the water. Without generating heat, these vibrations create a mist of fine particles of water and essential oil, which diffuse into the air, thus making you enjoy the natural benefits and pleasant scent of the oils.

Description of items

EN



1. Mist outlet
2. Lid
3. Maximum water level
4. Ceramic Disc
5. Water tank
6. Air outlet
7. Bluetooth button
8. Diffuse button
9. Air inlet
10. Connecting the USB cable
11. USB cable



1. Remove the lid.
2. Add about 70 ml of tap water to the tank.
3. NOTE: Do not exceed the maximum water line.
4. Add 5 to 10 drops of essential oil to the tank.
5. Replace the cover.
6. Connect the USB cable under the diffuser and to a USB socket, or the supplied adapter.
7. Follow the diffuse button and Bluetooth® instructions.

DIFFUSE BUTTON

1st push: Continuous diffusion/ colour light

Add the drawings from the changing original instructions.

2nd push: Continuous diffusion without light.

3rd push: Intermittent diffusion (15 sec. ON/ 15sec. OFF) and changing light colour.

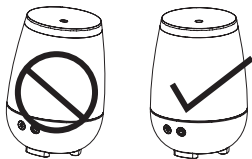
4th push: Intermittent diffusion without light.

5th push: Shutdown.

Diffusion will stop automatically when the tank is empty.

When the tank is full (70ml), the diffuser will be able to diffuse for about 4 hours streaming and about 8 hours in intermittent diffusion.

NOTE: Do not lean it, move it, or try to empty or fill the device while it is plugged in.



BLUETOOTH BUTTON



Turn on the Bluetooth® app on your device.

Press and hold the Musilia Bluetooth® button for two seconds.

The blue LED light will flash.

Select the name of the Bluetooth connection “HUMMINGBIRD” on your device to connect to it.

To turn off the Bluetooth® function, press and hold the Musilia Bluetooth® softkey for five seconds.

Maintenance

EN

To ensure the proper operation of the diffuser, it is recommended to clean it when changing the oil, or every three days.

Unplug the diffuser from the mains before cleaning.

Use a damp cloth to clean the outside of the unit.

Use a cotton swab or rag to clean the water tank.

Prevent water from entering the air outlet.

Do not use aggressive detergents, solvents or abrasives to clean the diffuser.

Use the diffuser on a dry, level surface.

Specifications

Model: USB Bluetooth®

Capacity: 70 ML

Voltage: DC 5V

Speaker output: 3 Watts/ 4 Ohms

Frequency response: 160 HZ-18K HZ

| Malfunctions | Possible origins | Solutions |
|--|---|---|
| The diffuser is not working, there is no mist or less steam than usual | The diffuser is not connected. | Plug in the diffuser and turn it on. |
| | There is not enough water. | Refill the tank. |
| | Do not use demineralised water | Use tap water |
| | There is too much water (water level above the maximum red mark). | Empty the surplus water. |
| | The ceramic disc may be dirty. | Clean the ceramic disc with white vinegar and a cotton swab, also clean the tank. |
| | The lid is not closed properly. | Close the lid properly. |
| | The air inlet is clogged or congested. | Make sure the air inlet is clean and free. |
| | The air outlet is clogged or congested. | Ensure the air outlet is clean and free. |

| Malfunctions | Possible origins | Solutions |
|-------------------------|--|--|
| No Bluetooth connection | Your device does not work with the diffuser. | Check that your device's Bluetooth is activated and that it is clearly visible. Ensure that the diffuser is not already linked to another device. Select the name of the Bluetooth connection "HUMMINGBIRD» on your device to connect to it. |

musilia




innobiz