

BUILT-IN AND WALL-MOUNTED HEAT RECOVERY UNIT MODELS 160 - 230 - 300

CHARACTERISED BY AN INNOVATIVE DESIGN THAT IS BOTH ATTRACTIVE AND HIGHLY FUNCTIONAL, TECNOSYSTEMI'S BUILT-IN HEAT RECOVERY UNITS ARE EASY TO INSTALL AND OFFER HIGH LEVELS OF PERFORMANCE.

3 MODELS ARE AVAILABLE, ALL SUPPLIED WITH A REMOTE CONTROL DEVICE THAT SWITCHES THE UNIT ON/OFF AND REGULATES THE 3 OPERATING SPEEDS.

THE NEW PANEL COMPLETE WITH LEDs, ENABLES THE USER TO CHECK THE UNIT'S OPERATION AND TO ALSO MAKE SETTINGS MANUALLY

AirPur3^{PLUS}



BUILT-IN MODEL

WALL-MOUNTED MODEL



**REMOTE CONTROL
DEVICE INCLUDED**

REAR VIEW

**EXTERNAL AESTHETIC
GRID**

**EXTRACTABLE PLASTIC
EXCHANGE PACK**



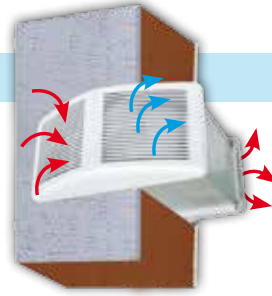
- ✓ **2 CROSS FLOW HEAT EXCHANGER IN PLASTIC, REMOVABLE AND WASHABLE**
- ✓ **ELEGANT DESIGN, FITTING TO ALL INTERIOR DESIGNS**
- ✓ **EQUIPPED WITH THE REMOTE CONTROL, 3 SPEEDS AND 5 OPERATING MODES**
- ✓ **DASHBOARD WITH 5 MULTI-FUNCTIONAL LEDS**
- ✓ **INCORPORATED HYGROSTAT WITH 40/50/60% SETTINGS**

OPERATING MODES



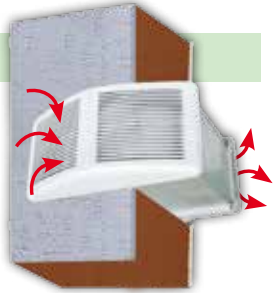
RECOVERY

THE DEVICE WORKS AT THE SAME TIME IN EXTRACTION MODE AND IN AERATION MODE, WITH THE OPTION TO REGULATE THE THREE SPEEDS.



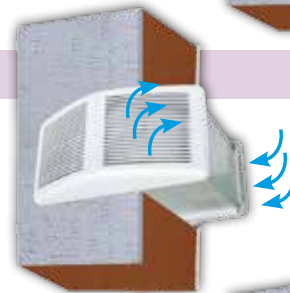
EXTRACTION

THE DEVICE WORKS IN INTERNAL AIR EXTRACTION MODE ONLY, WITH THE OPTION TO REGULATE THE THREE SPEEDS.



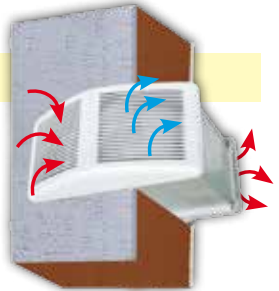
AERATION

THE DEVICE WORKS IN AERATION MODE ONLY, ASPIRATING EXTERNAL AIR AND INTRODUCING IT INTO THE ROOM. OPTION TO REGULATE THE THREE SPEEDS PROVIDED.



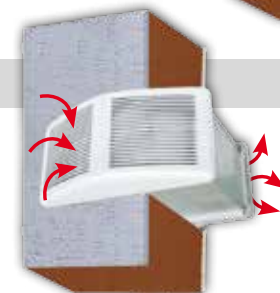
AUTO1

THE DEVICE IS IN STANDBY. WHEN THE AIR IN THE ROOM EXCEEDS THE HUMIDITY LEVEL, THAT CAN BE SET AT 40%, 50% OR 60%, THE DEVICE SWITCHES INTO EXTRACTION / AERATION MODE UNTIL THE HUMIDITY LEVEL FALLS WITHIN THE SET VALUE.



AUTO2

THE DEVICE IS IN STANDBY. WHEN THE AIR IN THE ROOM EXCEEDS THE HUMIDITY LEVEL, THAT CAN BE SET AT 40%, 50% OR 60%, THE DEVICE SWITCHES INTO EXTRACTION ONLY MODE UNTIL THE HUMIDITY LEVEL FALLS WITHIN THE SET VALUE.



FILTER MAINTENANCE

THE RED FLASHING LED INDICATES THAT FILTER MAINTENANCE IS REQUIRED.

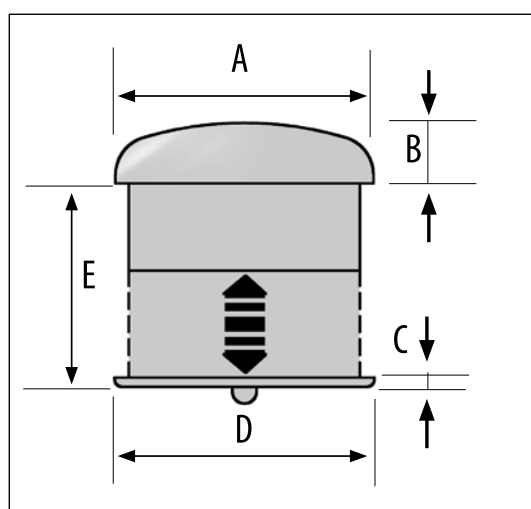
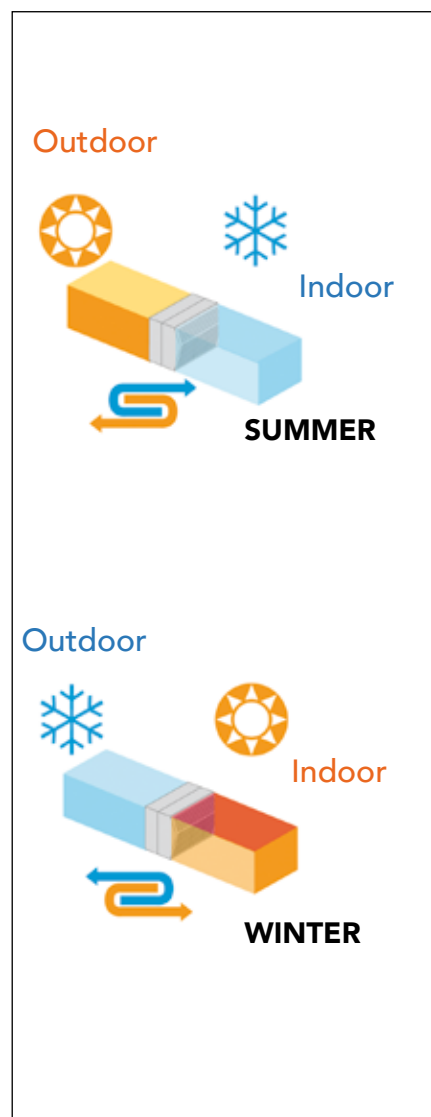
SETTING THE LEVEL OF HUMIDITY

WHEN THE BLUE LED TURNS ON, IT INDICATES ACCESS TO THE HUMIDITY VALUE SETTINGS MODE. IT IS POSSIBLE TO SET THE HUMIDITY THRESHOLD ON THREE DIFFERENT VALUES 40%, 50%, 60%

REMOTE CONTROL DEVICE INCLUDED

TECHNICAL FEATURES BUILT-IN MODEL

MODEL	160	230	300
SUPPLY VOLTAGE	230 V	230 V	230 V
FREQUENCY	50 Hz	50 Hz	50 Hz
MAXIMUM POWER	30 W	70 W	70 W
PROTECTION RATING	IP 20		
AIR EXCHANGE EFFICIENCY	I°: 76%	I°: 72%	I°: 67%
	II°: 74%	II°: 70%	II°: 64%
	III°: 73%	III°: 68%	III°: 60%
AIR DELIVERY M³/H	I°: 70	I°: 92	I°: 150
	II°: 120	II°: 166	II°: 264
	III°: 161	III°: 230	III°: 300
MAX. NOISE LEVEL DB(A)	I°: 36	I°: 36	I°: 40
	II°: 44	II°: 45	II°: 51
	III°: 48	III°: 49	III°: 53
WEIGHT kg	18	19	19
Ø HOLE IN WALL (mm)	230 x 490	230 x 490	230 x 490

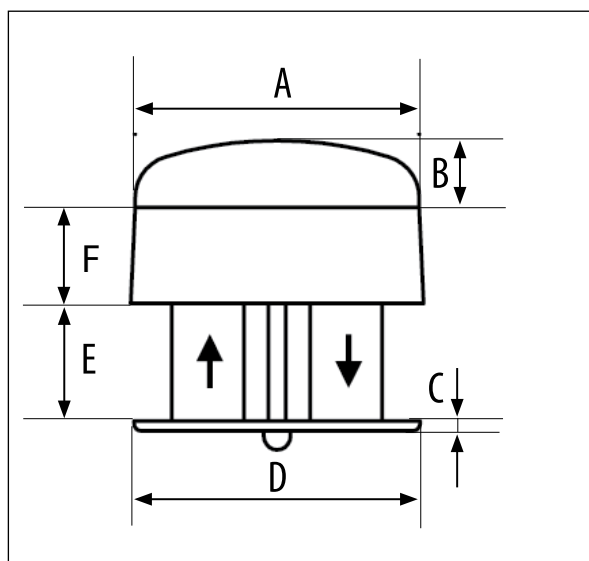
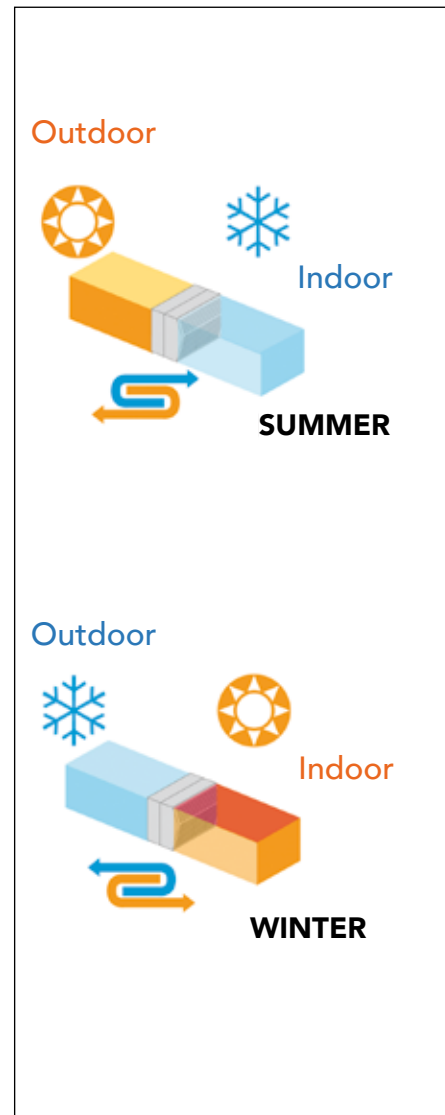


DIMENSIONS	(mm)
MODEL 160 / 230 / 300	
A	532
B	125
C	19
D	536
E	220/400
INTERNAL GRID HEIGHT	265
EXTERNAL GRID HEIGHT	292
HEAT RECOVERY UNIT BOX	220

CODE	DESCRIPTION
ACD100031	BUILT-IN CROSS-FLOW STATIC HEAT RECOVERY UNIT MODEL 160
ACD100032	BUILT-IN CROSS-FLOW STATIC HEAT RECOVERY UNIT MODEL 230
ACD100033	BUILT-IN CROSS-FLOW STATIC HEAT RECOVERY UNIT MODEL 300

TECHNICAL FEATURES WALL-MOUNTED MODEL

MODEL	160	230	300
SUPPLY VOLTAGE	230 V	230 V	230 V
FREQUENCY	50 Hz	50 Hz	50 Hz
MAXIMUM POWER	30 W	70 W	70 W
PROTECTION RATING	IP 20		
HEAT EXCHANGE EFFICIENCY (IN RELATION TO THE THREE SPEEDS)	I°: 76%	I°: 72%	I°: 67%
	II°: 74%	II°: 70%	II°: 64%
	III°: 73%	III°: 68%	III°: 60%
AIR OUTPUT m ³ /h (IN RELATION TO THE THREE SPEEDS)	I°: 69	I°: 92	I°: 149
	II°: 120	II°: 166	II°: 264
	III°: 161	III°: 230	III°: 300
MAX SOUND RATING dB(A) (IN RELATION TO THE THREE SPEEDS)	I°: 36	I°: 36	I°: 40
	II°: 44	II°: 45	II°: 51
	III°: 48	III°: 49	III°: 53
WEIGHT kg	21	22	22
Ø HOLE IN WALL (mm)	170	170	170



DIMENSIONS	(mm)
MODEL 160 / 230 / 300	
A	532
B	125
C	19
D	536
E	400
F	220
INTERNAL GRID HEIGHT	265
EXTERNAL GRID HEIGHT	292
HEAT RECOVERY UNIT BOX	289

CODE	DESCRIPTION
ACD100034	WALL MOUNTED CROSS-FLOW STATIC HEAT RECOVERY UNIT MODEL 160
ACD100035	WALL MOUNTED CROSS-FLOW STATIC HEAT RECOVERY UNIT MODEL 230
ACD100036	WALL MOUNTED CROSS-FLOW STATIC HEAT RECOVERY UNIT MODEL 300